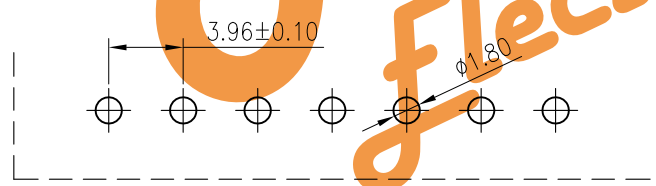
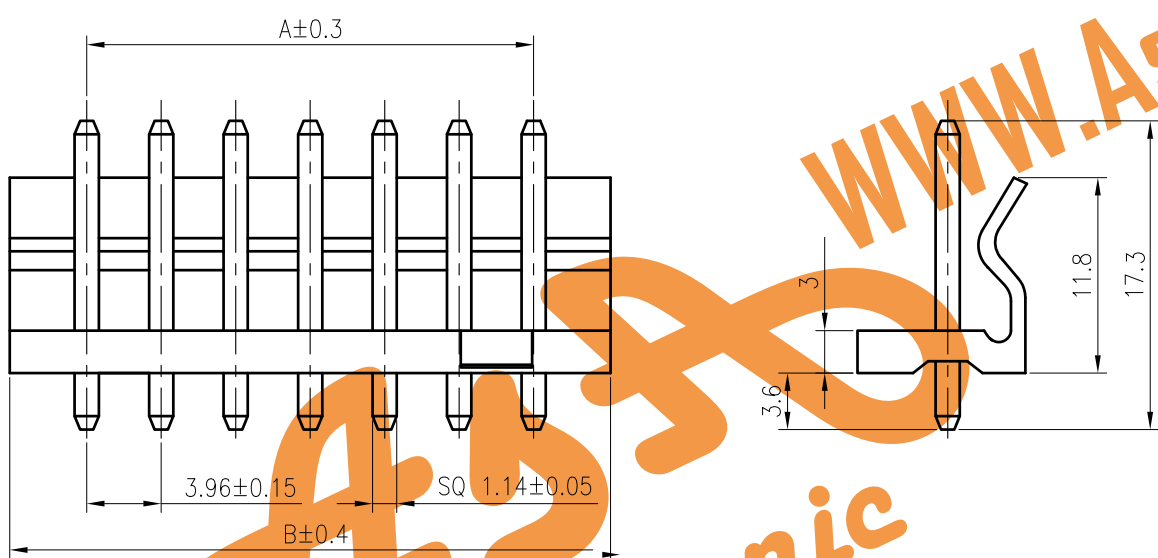
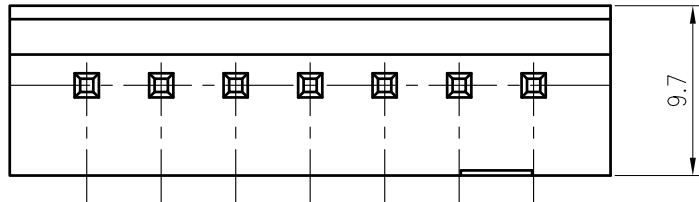


RoHS
COMPLIANT



Recommended P.C.B. Layout
Total tolerance: ±0.05mm

SPECIFICATIONS

1. Current rating: 5A AC, DC
2. Voltage rating: 250V AC, DC
3. Temperature range: -25°C ~ + 85°C
4. Insulation resistance: 1000MΩ/ min.
5. Withstanding voltage: 1500V AC/ minute.
6. Contact resistance: 20mΩ/ max.

Material:

- Insulator: PA66 UL94 V-2
- Contact: Brass
- Plating: Tin plated over Nickel

| Circuits | Dimensions | | Circuits | Dimensions | |
|----------|------------|-------|----------|------------|-------|
| | A | B | | A | B |
| 2 | 3.96 | 7.92 | 8 | 27.72 | 31.68 |
| 3 | 7.92 | 11.88 | 9 | 31.68 | 35.64 |
| 4 | 11.88 | 15.84 | 10 | 35.64 | 39.60 |
| 5 | 15.84 | 19.80 | 11 | 39.60 | 43.56 |
| 6 | 19.80 | 23.76 | 12 | 43.56 | 47.52 |
| 7 | 23.76 | 27.72 | | | |

| MARK | REVISION DESCRIPTION | SIGNATURE | DATE |
|------|---|-----------|------------|
| A4 | | | |
| A3 | Uniformly arrange the drawings | Arvin | 2021.12.24 |
| A2 | Change the part number and frame format | Arvin | 2020.05.07 |

| TOLERANCE | TITLE: | DRAWN: |
|-------------|-------------------|------------------------|
| X.X ±0.30 | MX3.96 DIP 180° | Arvin 2020.05.07 |
| X.XX ±0.20 | | CHECKED: |
| X.XXX ±0.10 | | APPROVED: |
| Angle ±2° | UNIT:mm SCALE:N/A | SHEET: 1/1 PROJECTION: |


WWW.AsA-Elec.com
AsA Electronic Co.
 Tel : (+98) 21 66 73 56 82 Mob : (+98) 912 03 161 02